

# MAVERICK

**MAVERICK Equipment**  
 GREIG MAVER Pty. Ltd. ABN 53 285 094 262  
 33 STANLEY TCE. SURREY HILLS  
 P.O. BOX 100, CANTERBURY, 3126 AUSTRALIA  
**(03) 9836 4500 FAX (03) 9836 6787**  
 E-mail mail@maverickequipment.com.au

## MAVERICK Bin Lifters

### Niftylift

- Full swing bin lifter, lifts up to 30 kg safely
- Suits 1500 mm skip bins
- Compatible with 80, 120 and 240 litre wheelie bins
- Manual assisted lift operation with slow release gas struts
- Suitable for 2 lifts per day, per person
- Fits through internal doorways



Order Code

Niftylift Bin Lifter for 1500 mm skip bins

NIFTYLIFT30

### Rugged—Manual

- Full swing bin lifter, lifts up to 100 kg safely
- Models to suit 1500 mm or 1800 mm skip bins
- Compatible with 80, 120, 140 and 240 litre wheelie bins
- Spark free hydraulic hand pump operation
- Suitable for 10 lifts per day, per person
- Fits through internal doorways



Order Code

Rugged Manual Bin Lifter for 1500 mm skip bins

BLHP1500

BLHP1500—lid lifter compatible

BLHP1500LL

Rugged Manual Bin Lifter for 1800 mm skip bins

BLHP1800

### Rugged—Powered

- Full swing bin lifter, lifts up to 150 kg safely, up to 50 times per day
- Models to suit 1500 mm or 1800 mm skip bins
- Compatible with 80, 120, 140 and 240 litre wheelie bins
- Battery operated push button hydraulic system
- Fits through internal doorways



Order Code

Rugged Powered Bin Lifter for 1500 mm skip bins

BLEH1500

BLEH1500—lid lifter compatible

BLEH1500LL

Rugged Powered Bin Lifter for 1800 mm skip bins

BLEH1800

## Wheelie bin transport

### Electrodrive Powered Bin Trolley

- Move up to three 240 L wheelie bins, weighing up to 400 kg over a flat surface
- Powered drive wheel can carry loads over ramps up to 5 degrees
- Smart design with easy turning action
- Tiller control keeps you in front of load



Order Code

Powered Bin Trolley

POWBINTROLLEY

### Modular Bin Trailer

- Load capacity of up to 240 kg per bin bay
- Compatible with 80, 120, 140, 240 and 360 litre wheelie bins
- Gas strut actuated bin retention bar
- Fits within one standard car parking space
- Comes with a towball coupling hitch as standard



Order Code

Three bay trailer for 80–360 L wheelie bins

MODULAR3

Six bay trailer for 80–360 L wheelie bins

MODULAR6

# MAVERICK

## MAVERICK Equipment

GREIG MAVER Pty. Ltd. ABN 53 285 094 262  
 33 STANLEY TCE. SURREY HILLS  
 P.O. BOX 100, CANTERBURY, 3126 AUSTRALIA  
**(03) 9836 4500 FAX (03) 9836 6787**  
 E-mail [mail@maverickequipment.com.au](mailto:mail@maverickequipment.com.au)

### Ecolift

- Lift-and-tilt bin lifter, lifts up to 50 kg safely
- Suits 1500 mm skip bins
- Compatible with 80, 120, 140 and 240 litre wheelie bins
- Crank handle winding operation for controlled lifting
- Suitable for 6 lifts per day, per person
- Safety cage panels eliminate hand crush points for operators and bystanders



Order Code

Ecolift Bin Lifter for 1500 mm skip bins

ECOLIFT50

### Simplicity Plus

- Lift-and-tilt bin lifter, lifts up to 150 kg safely, up to 100 times per day
- Models to suit 1100, 1500 and 1800 mm skip bins
- Compatible with 80, 120, 140 and 240 litre wheelie bins
- Battery operated push button hydraulic system
- Safety cage eliminates hand and foot crush points for operators and bystanders



Order Code

Simplicity Plus for 1100 mm skip bins

SIMPLUS150HY1100

Simplicity Plus for 1500 mm skip bins

SIMPLUS150HY1500

Simplicity Plus for 1800 mm skip bins

SIMPLUS150HY1800

### Universal

- Lift-and-tilt bin lifter, lifts up to 250 kg safely, over 100 times per day
- Models to suit 1100, 1500 and 1800 mm skip bins
- Compatible with 80, 120, 140 and 240 litre wheelie bins
- Battery operated push button hydraulic system
- Safety cage and door eliminates all hand and foot crush points for operators and bystanders



Order Code

Universal Bin Lifter for 1100 mm skip bins

UBL250HY1100

Universal Bin Lifter for 1500 mm skip bins

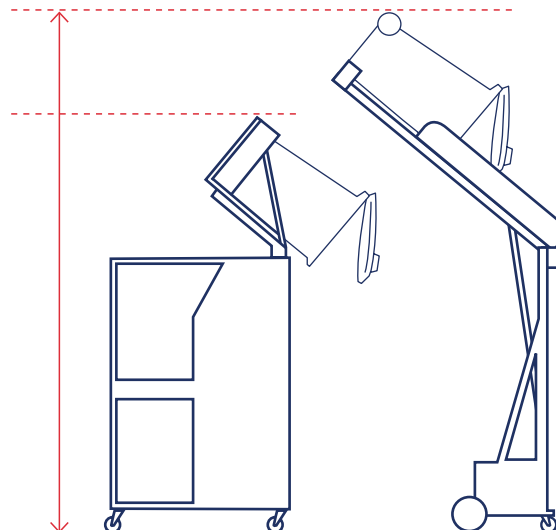
UBL250HY1500

Universal Bin Lifter for 1800 mm skip bins

UBL250HY1800

### Bin lifter top point height

If you are planning to install a bin lifter in a covered location, like a basement, consideration needs to be given for the space the bin lifter needs as it tips the wheelie bin into the skip. The table on the left shows the required height clearance for every model.



Bin Lifter	Order code	Top point height (mm)
<b>Full swing</b>		
Niftylift	NIFTYLIFT30	2850
Rugged—Manual	BLHP1500, BLHP1500LL	3250
	BLHP1800	3550
Rugged—Powered	BLEH1500, BLEH1500LL	3250
	BLEH1800	3550
<b>Lift-and-tilt</b>		
Ecolift	ECOLIFT50	2800
Simplicity Plus	SIMPLUS150HY1100, SIMPLUS150HY1500, SIMPLUS150HY1800	2900
Universal	UBL250HY1100, UBL250HY1500, UBL250HY1800	2900